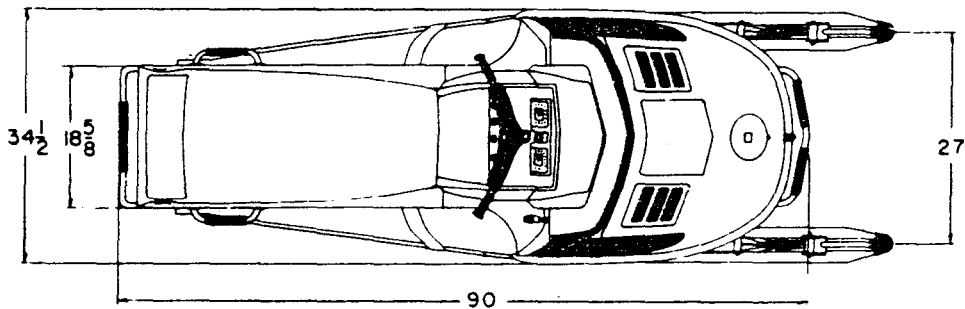
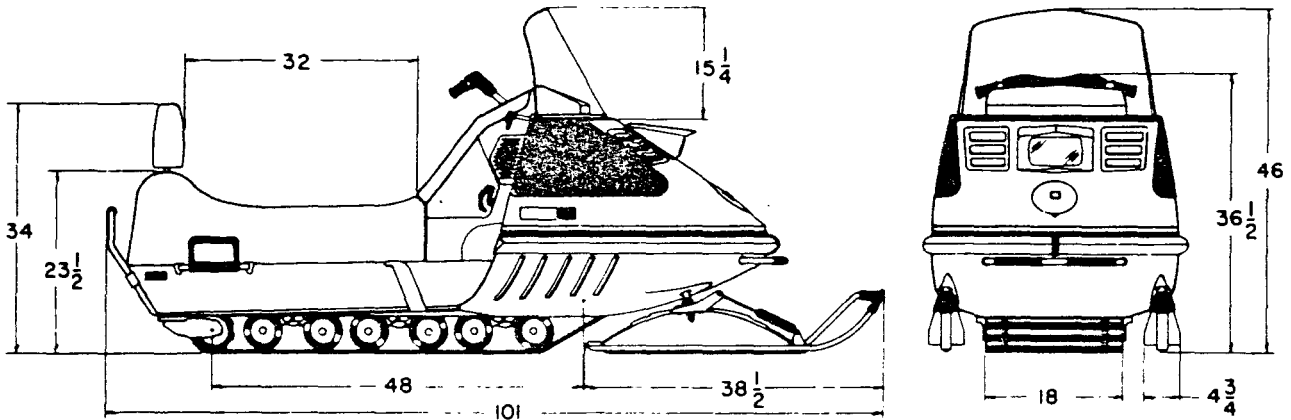


1973 MODEL

Specifications NORDIC



MODEL	NORDIC	640ER
ENGINE	No. of Cylinders	Two
	Bore	76mm
	Stroke	70mm
	Displacement	635.1cc
	Compression Ratio	9:1
	Carburetor (Tillotson)	HD
	Starting	Electric
CHASSIS	Overall Length	101"
	Overall Width	34 1/2"
	Height	46"
	Height w/o Windshield	36 1/2"
	Weight (lbs)	495
	Bearing Area	1242 sq.in.
Ground Pressure (p.s.i.)	.398	
POWER TRAIN	Track (width)	18"
	Std. Gear Ratio	19/33
ELECTRICAL SYSTEM	Lighting Coil Output	120 watt
	Headlamp (Watt)	60/60
	Tail/Stop Light	8/23
	Spark Plug (Bosch)	M-225-T-1
	Spark Plug Gap	.020"
	Breaker Points Gap	.014" - .018"
FUEL	Tank Capacity - Imp.	5.1 gals.
	- U.S.	6.37 gals.
	Gasoline	Regular
Gas/Oil Ratio	40/1	
BRAKE	Type	Disc