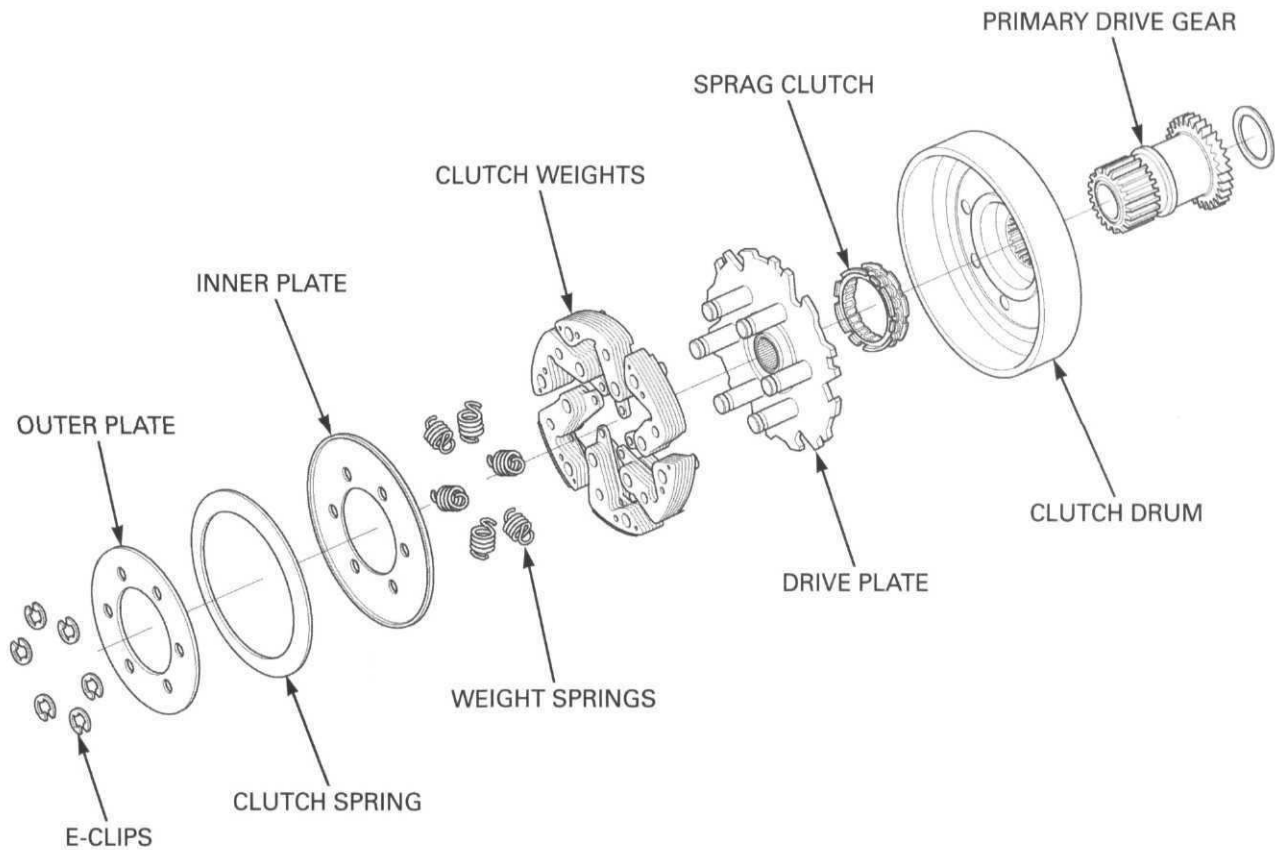
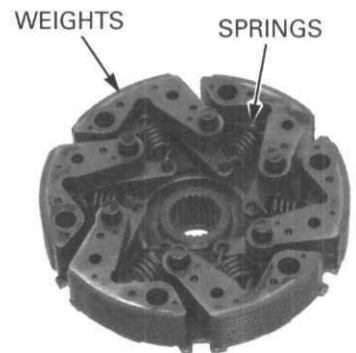


ASSEMBLY



Install with the spring's open ends facing in.

Install the clutch weights and springs onto the drive plate as shown.



Install the following:

- inner plate (with flange side facing up)
- clutch spring (with concavity side facing down)
- outer plate (with locating pins facing up)

