

Section 08 STEERING/FRONT SUSPENSION

Subsection 01 (STEERING SYSTEM)

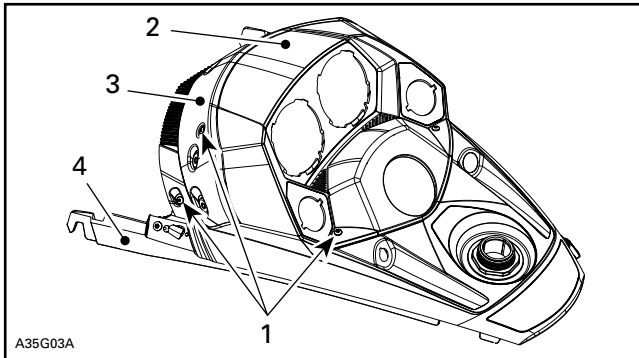
Reinstall terminals and replug connectors. Test grips to ensure they heat properly.

Steering Column

Remove windshield.

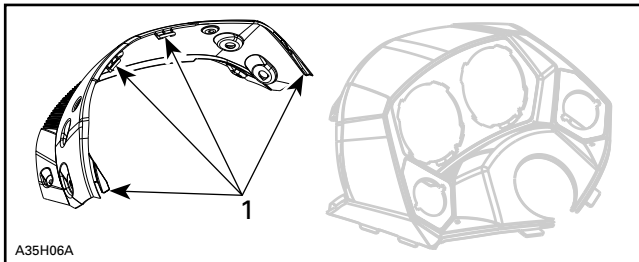
Remove steering padding no. 23.

Remove screws retaining indicator support and indicator support door.



1. Remove screws
2. Indicator support
3. Indicator support door
4. Center console

Remove indicator support door.



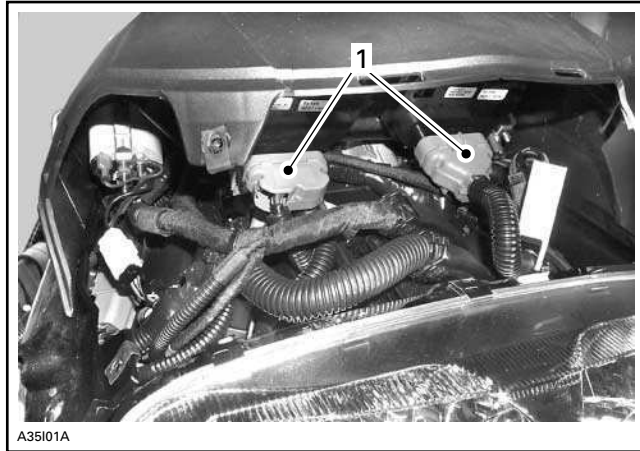
INDICATOR SUPPORT DOOR

1. Locking tab

Slightly lift console to gain access to electrical connector housings.

Unplug the 2 large connector housings.

NOTE: Only one connector for Summit models.



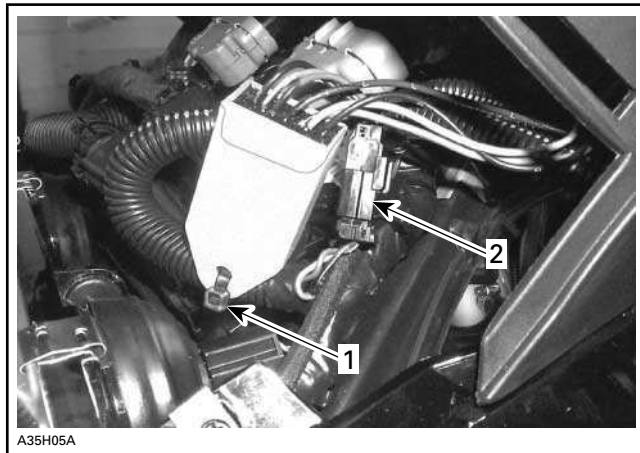
TYPICAL

1. Unplug

Mach Z

Cut locking tie holding temperature gauge electrical box to harness.

Unplug temperature gauge connector.



TEMPERATURE GAUGE

1. Cut
2. Unplug

Unplug fuel gauge connector.