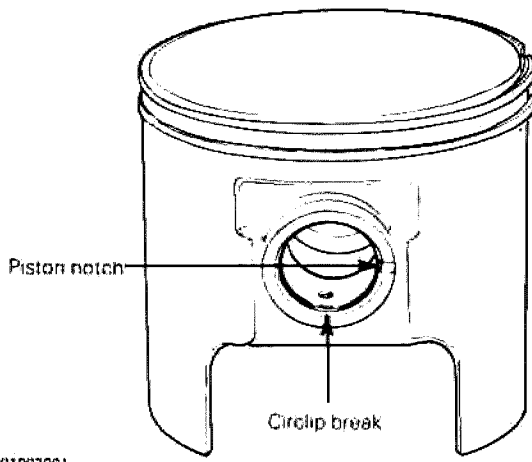


Section 02 ENGINE

Sub-section 05 (462 ENGINE TYPE)



A001002001

CAUTION: Circlips must not move freely in the groove after installation. If so, replace them.

10, Cylinder

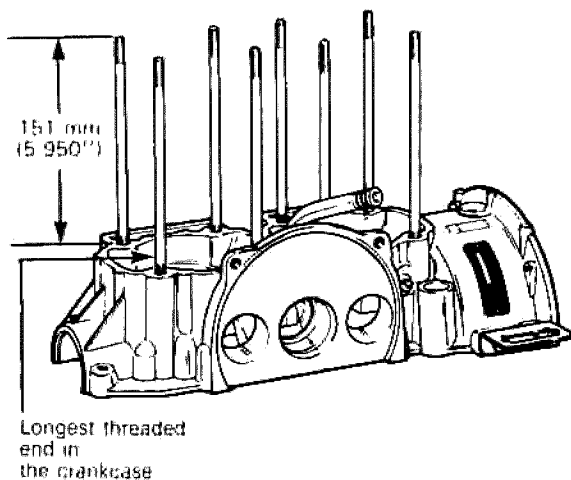
Before inserting piston in cylinder, lubricate the cylinder with new injection oil or equivalent.

Cylinders are identical; they can be interchanged as long as the pistons are matched to their own cylinder.

Spare parts pistons and cylinders are identified with a green or red dot, it is important to match piston and cylinder with the same color.

19, Cylinder studs

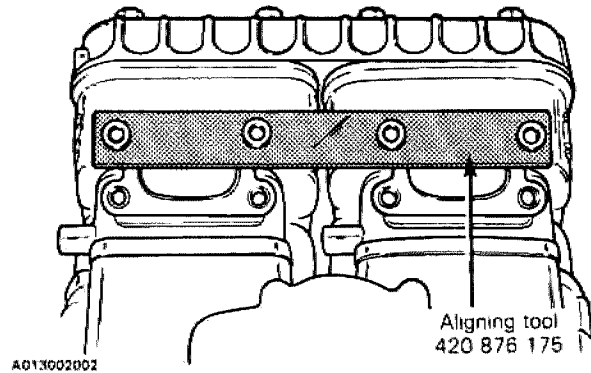
Because of cap nuts, cylinder studs have to be screwed into the crankcase so that they do not protrude by more than 151 mm (5.950''). Longest threaded part should be in the crankcase.



A013002001

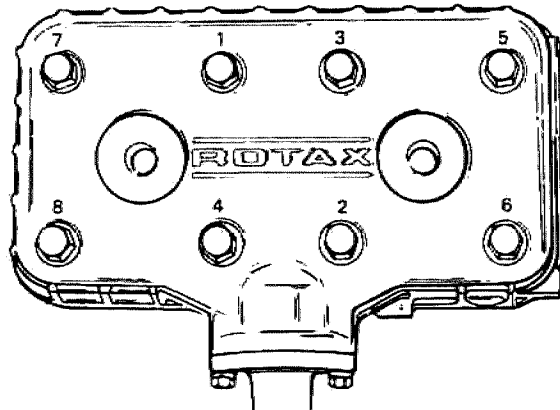
10, Cylinder

When reassembling the cylinders to the crankcase, it is important to have them properly aligned so that the cylinder head holes will match up with the studs. A special tool (as per illustration) can be used to align the cylinders.



A013002002

Torque cylinder head nuts to 23 N•m (17 lbf•ft) following illustrated sequence.



A013002003