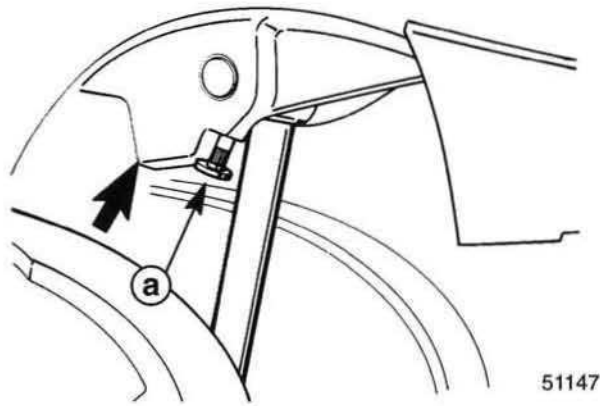


8. Drive upper dowel pin (a) into its hole until seated.

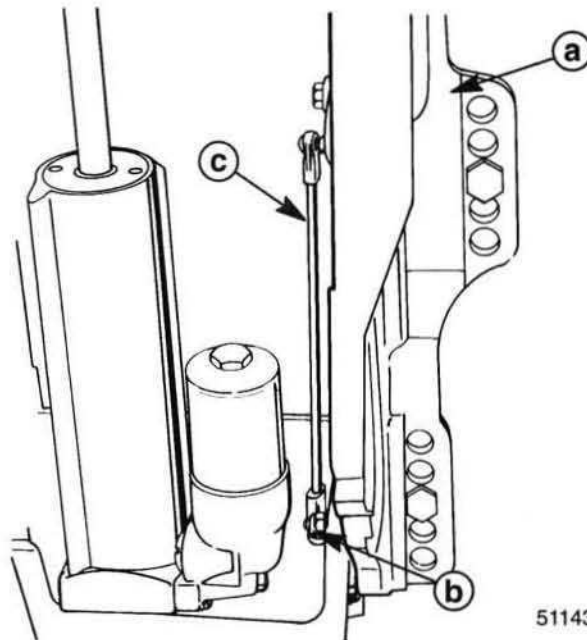


a - Dowel Pin

9. Check manual release cam adjustment. Cam must open and close freely. Adjust link rod as necessary.

Manual Release Valve Adjustment

1. With outboard in full up position, place tilt lock lever forward.
2. Lift cam lever (with link rod) to full up position.



a - Tilt Lock Lever
b - Cam Lever
c - Link Rod

3. Link rod end must snap onto ball of tilt lock lever without moving tilt lock lever or cam lever.