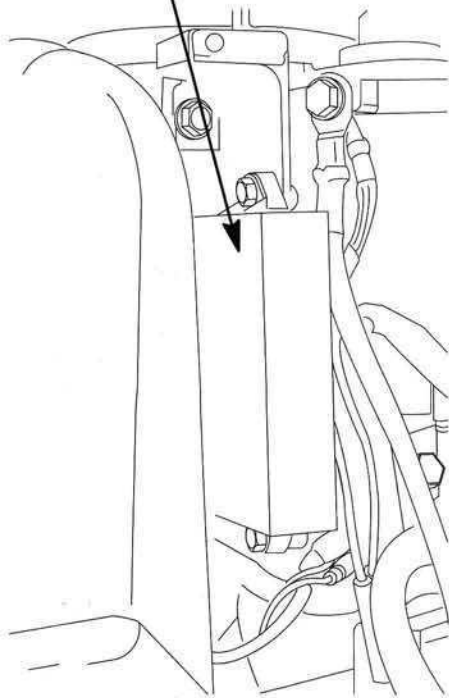
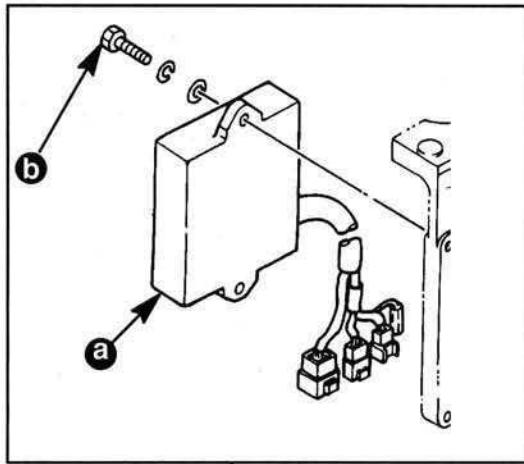


(CDI) Unit Removal and Installation

1. Remove and install the (CDI) unit as shown.
2. Refer to Section 2 Part D for wiring diagrams.



- a - (CDI) Unit
b - Mounting Bolts (2)

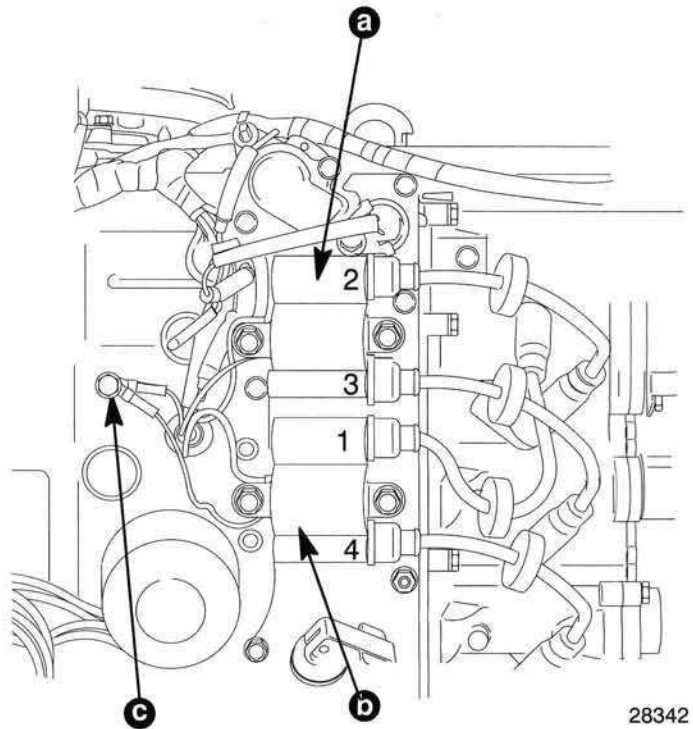
28341

(CDI) Mounting Bolt Torque

62 lb in (7 N·m)

Ignition Coil Removal and Installation

1. Remove and install ignition coils as shown.
2. Refer to Section 2 Part D for wiring diagrams.



28342

- a - Top Ignition Coil
b - Bottom Ignition Coil
c - Bolt - Fasten (and Ground) Coil Ground Leads

Ignition Coil Mounting Bolt Torque

62 lb in (7 N·m)

3. Reconnect spark plug leads.

