

# LUBRICATION POINTS

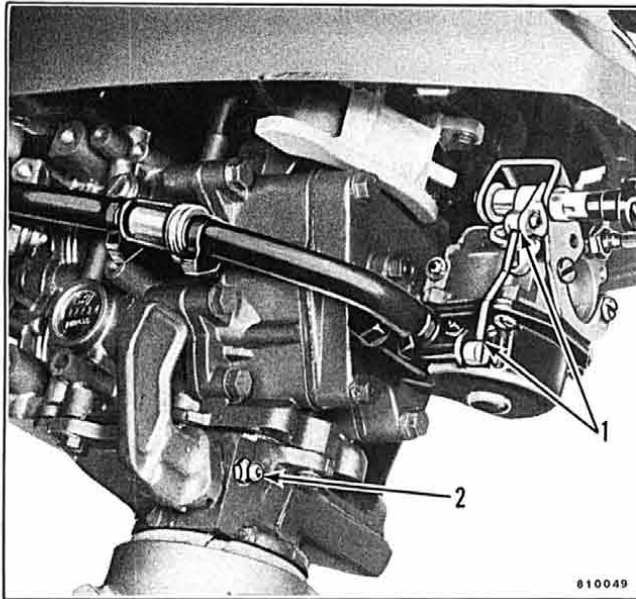


Figure 2-1. Shift Lever and Carburetor Linkage

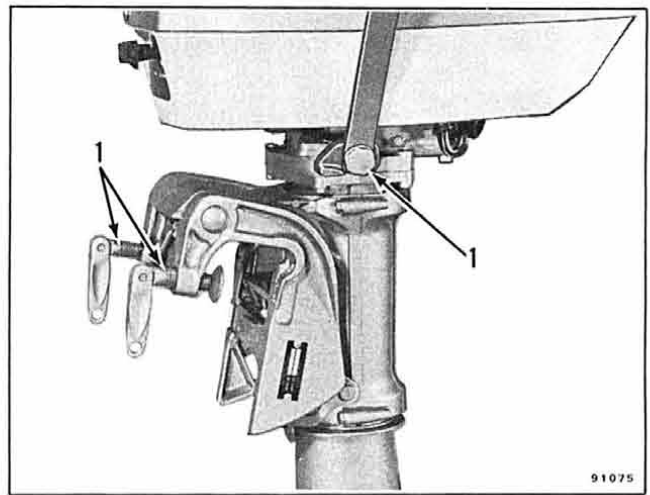


Figure 2-3. Steering Handle Pivot, Detent, and Clamp Screws

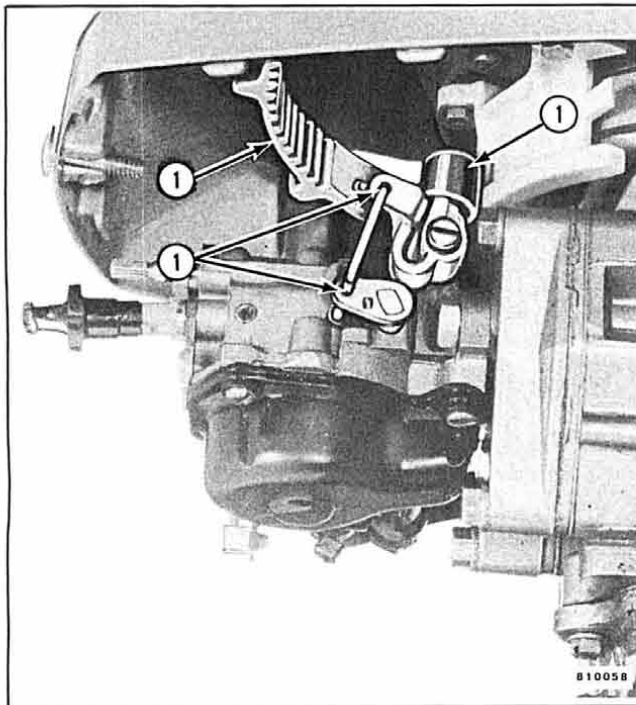


Figure 2-2. Cam Follower, Carburetor Linkage, and Choke Rod

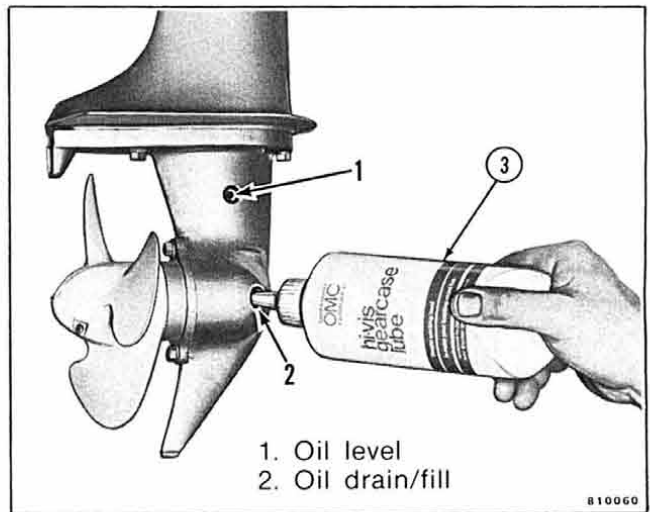


Figure 2-4. Standard Gearcase

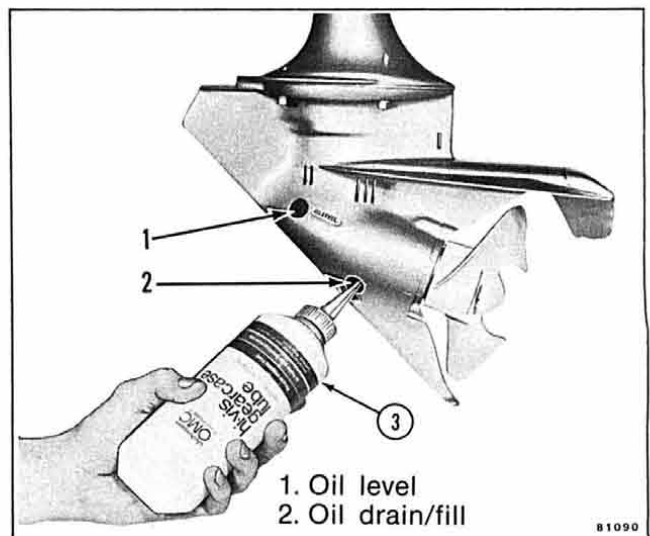


Figure 2-5. Weedless Gearcase