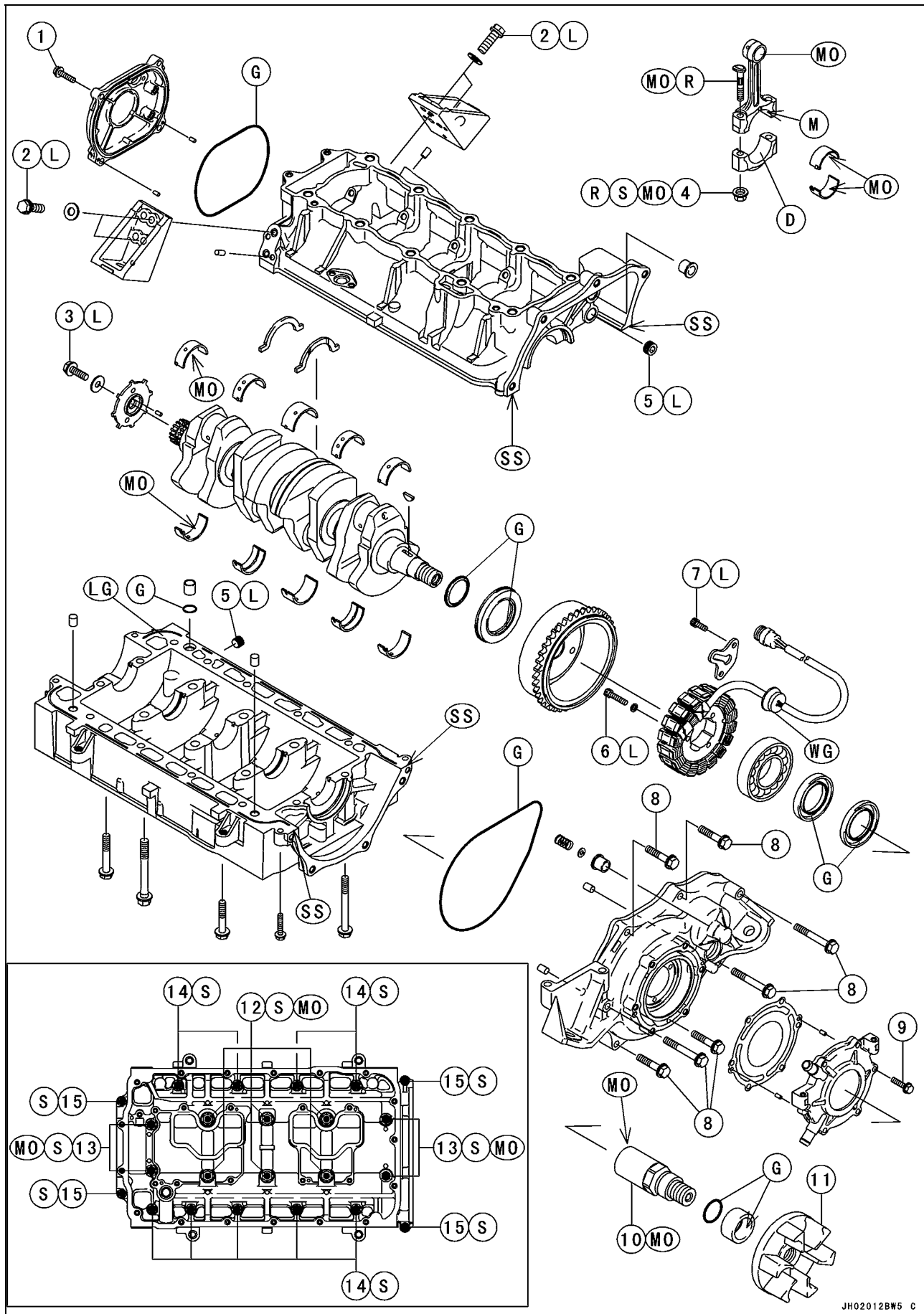


8-2 ENGINE BOTTOM END

Exploded View



JH02012BW5 C