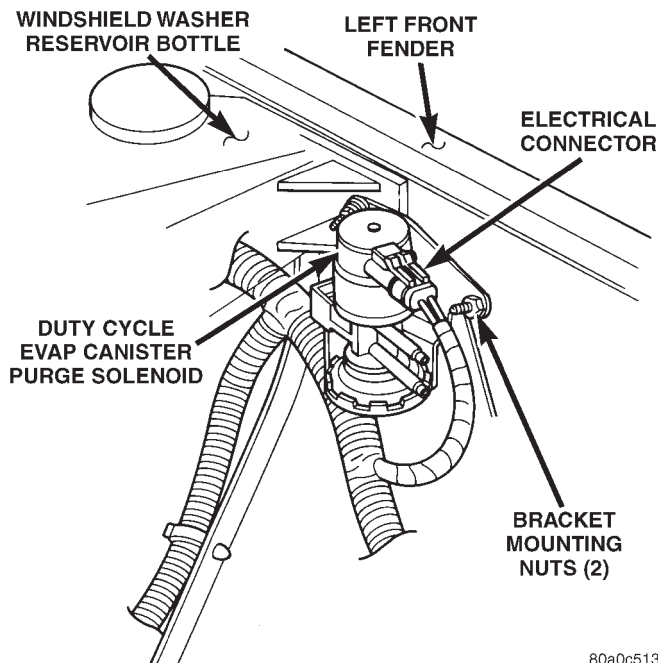


DIAGNOSIS AND TESTING (Continued)

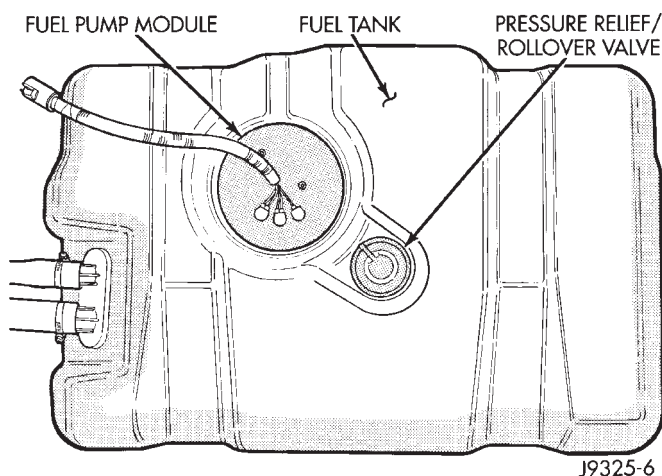


80a0c513

Fig. 20 EVAP Canister Purge Solenoid—Typical

PRESSURE RELIEF/ROLLOVER VALVE

The valve is located on the top of fuel tank (Fig. 21).

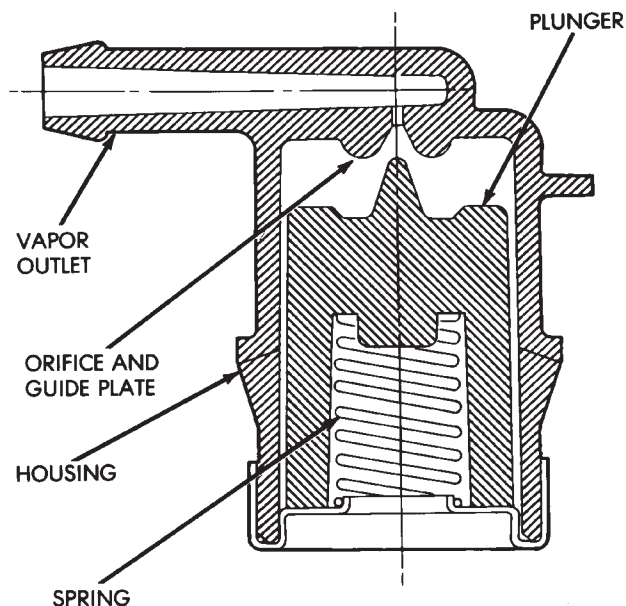


J9325-6

Fig. 21 Pressure Relief/Rollover Valve Location

REMOVAL

- (1) Disconnect negative battery cable.
- (2) Drain and remove the fuel tank. Refer to Fuel Tank removal and installation in Group 14, Fuel System.
- (3) Disconnect vapor hose at valve.
- (4) The valve (Fig. 22) is seated in a grommet. Remove by prying one side upward and then roll the grommet out of tank.



J8914-33

Fig. 22 Pressure Relief/Rollover Valve

INSTALLATION

- (1) Start one side of grommet into opening in fuel tank. Using finger pressure only, press valve/grommet into place.
- (2) Connect vapor hose to valve.
- (3) Install fuel tank. Refer to Fuel Tank Installation.
- (4) Fill fuel tank. Install fuel tank filler cap.
- (5) Connect negative battery cable.
- (6) Start vehicle and check for leaks.

FUEL TANK FILLER TUBE CAP

If replacement of the fuel tank filler tube cap is necessary, it must be replaced with an identical cap to be sure of correct system operation.

CAUTION: Remove the fuel tank filler tube cap to relieve fuel tank pressure. The cap must be removed prior to disconnecting any fuel system component or before draining the fuel tank.

LEAK DETECTION PUMP (LDP)

The LDP is located in the left/front corner of the engine compartment below the EVAP canister purge solenoid (Fig. 23).

REMOVAL/INSTALLATION

- (1) Remove air cleaner housing. Refer to Group 14, Fuel System for procedures.
- (2) Carefully remove all vapor/vacuum lines at EVAP canister purge solenoid.
- (3) Remove EVAP canister purge solenoid.
- (4) Disconnect electrical connector at LDP.