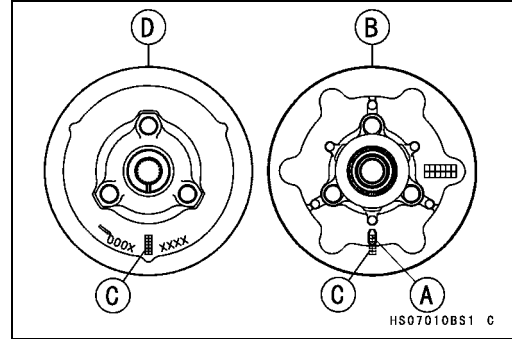


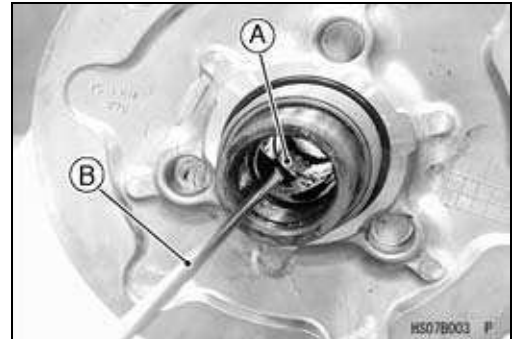
## 6-22 CONVERTER SYSTEM

### Driven Pulley

- Confirm the paint mark "0" [A] on the movable sheave [B] in alignment with the point [C] on the fixed sheave [D] for phase fit of the sheaves.



- Wipe off the molybdenum disulfide grease.
- Remove the four pins [A] with a thin standard tip screwdriver [B].
- Remove the movable sheave from the fixed sheave.



- Remove:  
Spacer(s) [A] (for Drive Belt Deflection Adjustment)



#### Driven Pulley Inspection

- ★ If the sheave surfaces [A] appear damaged, replace the sheaves.



- Replace the sheave with uneven wear on the belt contacting surfaces.

[A] Sheave Surface  
[B] Straight Edge

