

INSPECTION

ROCKER ARM/SHAFT

Check the rocker arms and shafts for wear or damage.

If the rocker arm follower is worn or damaged, check the push rod and oil passages.

Measure each rocker arm shaft O.D.

SERVICE LIMIT: 11.92 mm (0.469 in)

Measure each rocker arm I.D.

SERVICE LIMIT: 12.05 mm (0.474 in)

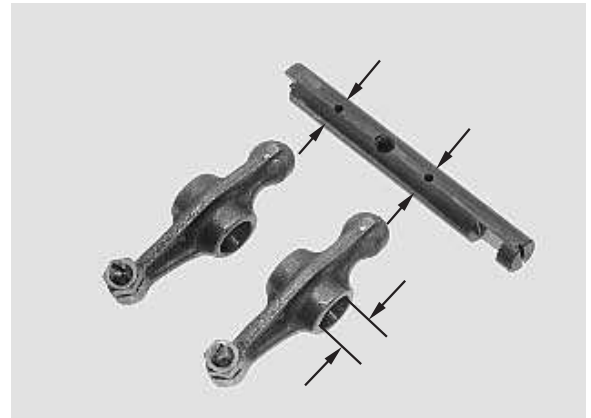
Subtract each rocker arm shaft O.D. from the corresponding rocker arm I.D. to obtain the rocker arm-to-shaft clearance.

SERVICE LIMIT: 0.08 mm (0.003 in)

PUSH ROD

Check the push rods for wear or damage.

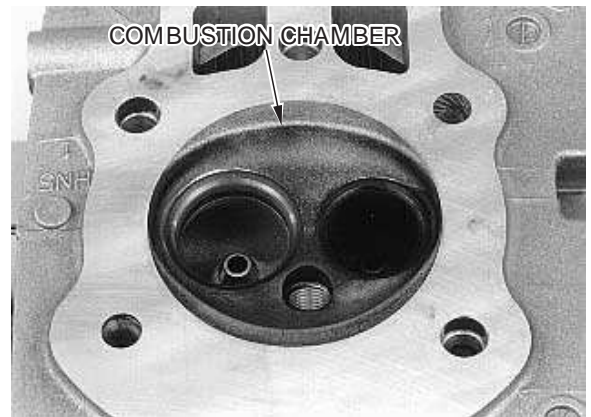
If the push rod is worn or damaged, check the cam follower and camshaft.



CYLINDER HEAD

Remove the carbon deposits from the combustion chamber, being careful not to damage the gasket surface.

Check the spark plug hole and valve areas for cracks.



Check the cylinder head for warpage with a straight edge and feeler gauge.

SERVICE LIMIT: 0.10 mm (0.004 in)

