

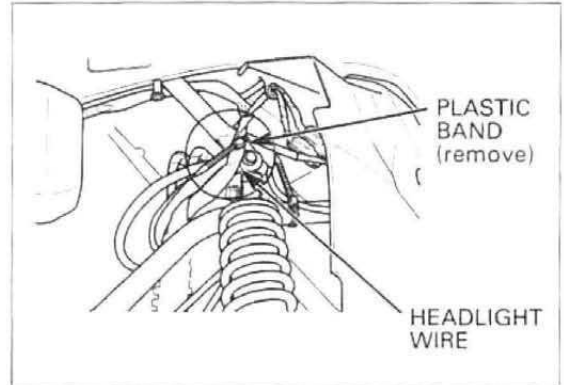
FRONT CARRIER/CARRY PIPE

Remove the plastic band holding the headlight wire to the front carrier.

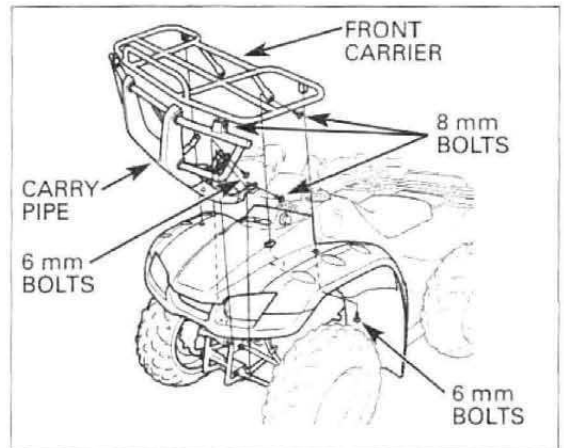
Remove the following:

- Be careful not to scratch the front fender.*
- two 6 mm bolts
 - four 8 mm bolts and front carrier
 - two 6 mm bolts
 - four 8 mm bolts and carry pipe

Installation is in the reverse order of removal.



Install the plastic band holding the headlight wire to the front carrier.



FRONT FENDER

Remove the following:

- side covers (page 3-5)
- fuel tank cover (page 3-8)
- center mud guards
- front mud guards
- front carrier
- headlight wire band
- headlight and accessory socket connectors
- six trim clips
- four tapping bolts
- front fender (while spreading upper rear portion)

Installation is in the reverse order of removal.

